

# Datasheet

Flush mounted,  
Binary Input 8 fold  
Status Leds 8 fold  
Art. 1630.03160/62100



DATEC ELECTRONIC AG  
Hochbergerstrasse 60C  
4057 Basel  
Tel. +41 61 633 22 25, Fax. +41 61 633 22 27  
[www.datec.ch](http://www.datec.ch), [support@datec.ch](mailto:support@datec.ch)

Because of continuous product improvement, notice is subject to change without notification. Please always check for latest version. Refer to [www.datec.ch](http://www.datec.ch) or contact [support@datec.ch](mailto:support@datec.ch)

## Datasheet

### Flush mounted, Binary Input 8x - Art. 1630.03160/62100

## Description

The **Binary Input 8x / 8 Status LEDs** is a flush mounted device commonly used in offices, hotel rooms, apartments and much more.

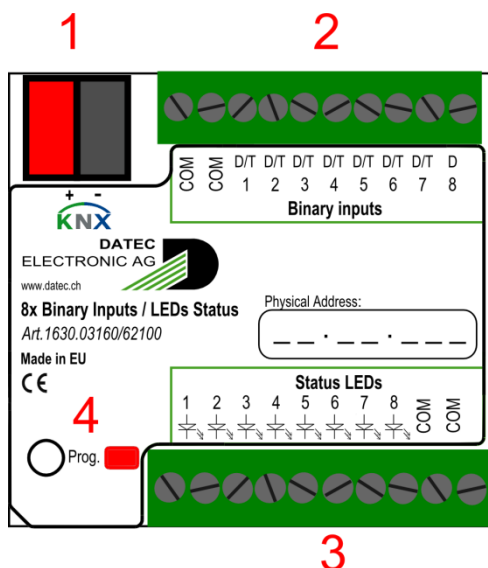
The device can interface 8 potential-free contacts to control lighting, shading or other equipment.

Up to 7 of the potential-free contacts can be used to connect temperature sensors, to measure various temperatures (local temp., outside temp., inlet air, ...).

The device can also drive 8 Status LEDs. Each LED can be set to display the status of the corresponding binary input, or to display the value of a separate communication object.

## Functional description

- 8 local binary inputs, 5VDC with 2k20hm series resistor provided by device. Needs only dry contact
- Each binary input can be used to interface push-buttons or switches
- The binary inputs can be used to control lighting, shading or other KNX equipment
- 8 outputs for status LED's, 5VDC with 3.6kOhm series resistor provided by device. Needs only low current LED
- No need of mains voltage for application download
- Flush mounted
- Operating temperature -5°C ... +45°C
- Dimension 50.3 x 46.7 x 17.1mm
- Weight 25g



### Terminals

1. KNX bus
2. Binary / Temperature sensor inputs
3. Status LED outputs

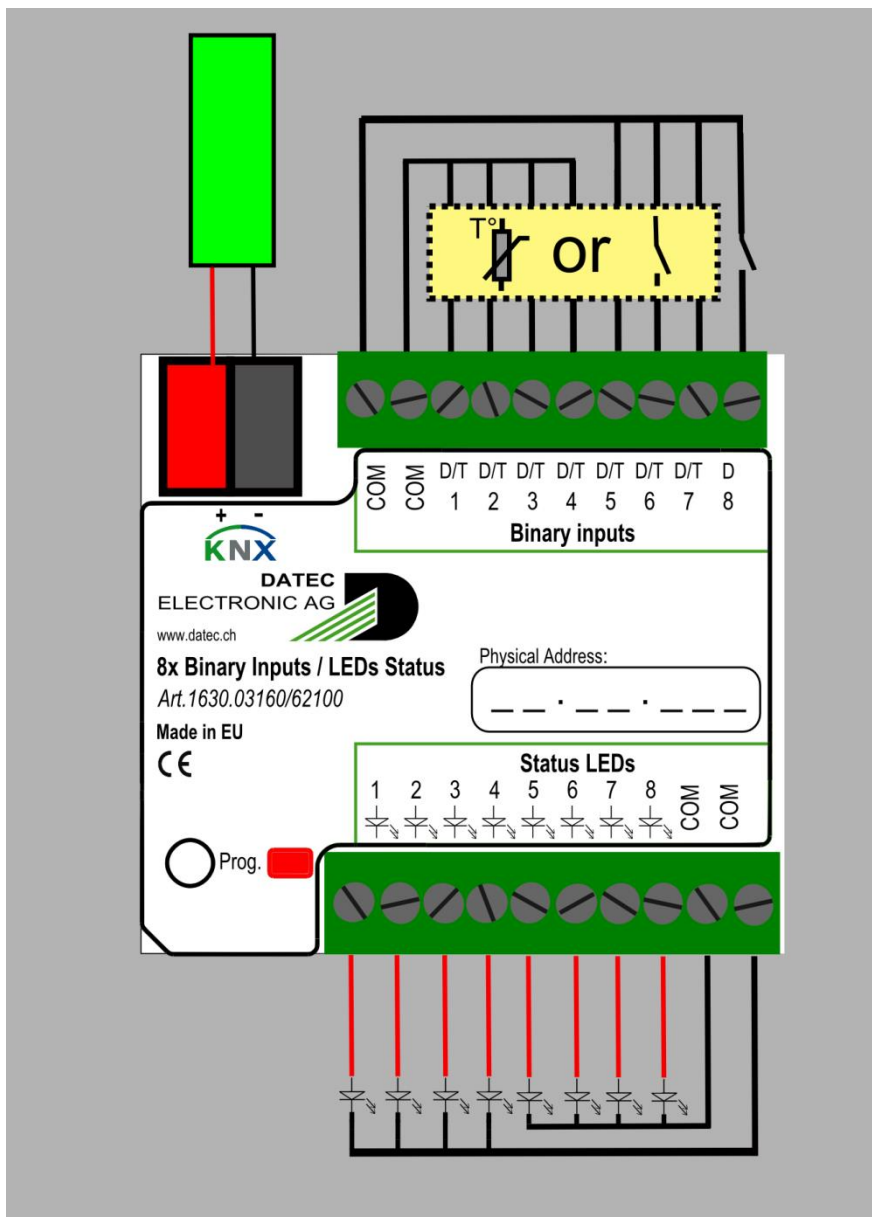
### Button and LED

4. KNX programming button and LED

# Datasheet

Flush mounted, Binary Input 8x - Art. 1630.03160/62100

## Application example: Flush mounted, Binary Input 8 fold



## Datasheet

Flush mounted, Binary Input 8x - Art. 1630.03160/62100

### Technical Data

<b>Housing</b>	Approx. 50.3 x 46.7 x 17.1 mm
Mounting	To be flush mounted
Housing material	ABS V0
Protection degree	IP20
Weight	25g
<b>Operating temperature</b>	-5°C ... +45°C
<b>Terminals</b>	
KNX	Pluggable micro terminal, Red/Black, 4 pole PUSH WIRE For conductor solid wire 0.6-0.8 mm <sup>2</sup>
Binary inputs / Status LED outputs	Screw terminal green 1 mm <sup>2</sup> / 16 AWG Terminal opening size 1.4x1.7mm Screw M1.6 Maximum torque 0.15 Nm / 1.33 in.lbs
<b>KNX</b>	Max. ≈10mA current consumption from bus Max. current is if all inputs / outputs are 0 Ohm
<b>Local binary input / Status LED's output</b>	
Voltage supplied from device to binary inputs	5VDC, max. 2.2mA (2.2kOhm internal)
Voltage supplied from device to LED outputs	5VDC, 3.6kOhm internal
Cabling	Twisted pair, maximum 30m
<b>Temperature range</b>	-60°C to +50°C
<b>Temperature sensor inputs</b>	Temperature sensor from DATEC Electronic Art. 1630.03121/56XXX (XXX length in cm) NTC 6K8 B25/100 = 4200K
<b>EMC</b>	EN 61000-4-2      EN 61000-4-3 EN 61000-4-4      EN 61000-4-5 EN 61000-4-6      EN 61000-4-11