

Datasheet

Flush SWITCH ACTUATOR
4x Output max. 10A
8x Binary Inputs
4x LED Outputs
Art. 1630.03160/61100



DATEC ELECTRONIC AG
Hochbergerstrasse 60C
4057 Basel
Tel. +41 61 633 22 25, Fax. +41 61 633 22 27
www.datec.ch, support@datec.ch

Because of continuous product improvement, notice is subject to change without notification. Please always check for latest version. Refer to www.datec.ch or contact support@datec.ch

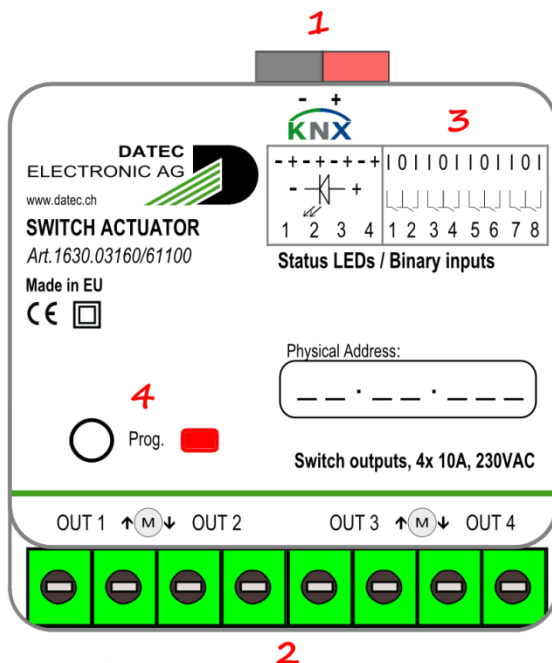
Description

The **SWITCH ACTUATOR 4x** is a flush mounted KNX device, for lighting and shading applications in offices, hotel rooms and much more. This device is used for switching lights or controlling blinds or shutters as determined by KNX input or control systems. Also, lights and blinds/shutters can be controlled by push buttons directly connected to the **SWITCH ACTUATOR 4x** device.

Also, 4 LED's can be connected to the device, to indicate Status of relays or to be driven by KNX telegrams.

Functional description

- 4x Switching outputs 10A
- All 4 outputs are independent, only dry contacts, so can be used for 230VAC, but also for lower voltage
- Each single output can be used to switch loads (max. 4 channels)
- Combining 2 outputs can be used for driving blinds or shutters (max. 2 blinds or shutters)
- No need of mains voltage for application download
- 8 local binary inputs, 3.3VDC with 10kOhm series resistor provided by device. Needs only dry contact
- 4 outputs for status LED's, 3.3VDC with 2.1kOhm series resistor provided by device. Needs only low current LED
- Flush mounted
- Operating temperature -5°C ... +45°C
- Dimension 50.2 x 46.7 x 29.4mm
- Weight 58g



Terminals

1. KNX bus
2. Outputs

Connectors

3. Local binary inputs and status LED's

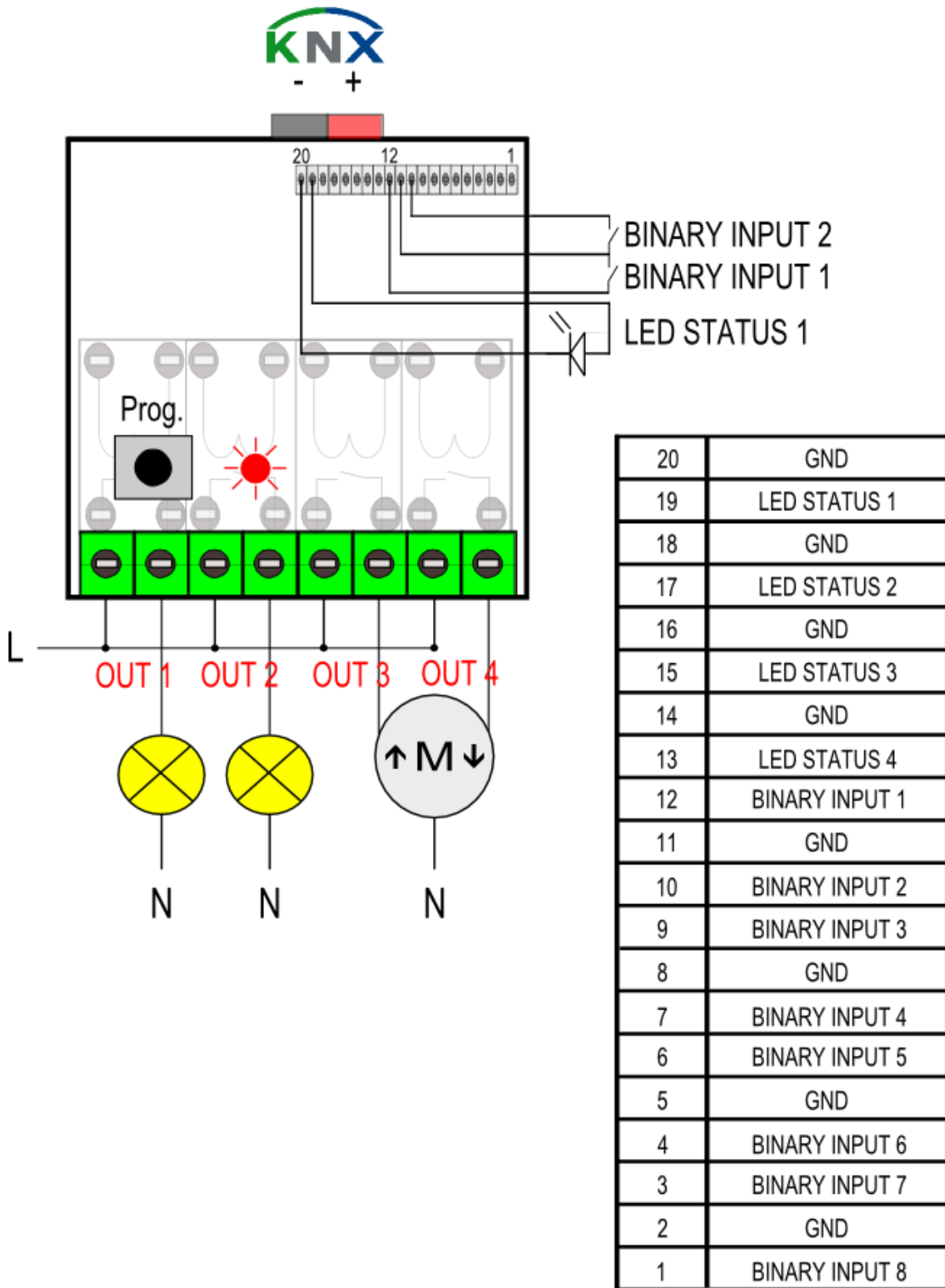
Button and LED

4. KNX programming button and LED

Datasheet

SWITCH ACTUATOR - Art. 1630.03160/61100

Application example: SWITCH ACTUATOR for switching 2x and driving 1 shutter or blind



Technical Data

Housing	50.2 x 46.7 x 29.4mm
Mounting	To be flush mounted
Housing material	ABS /PC V0
Protection degree	IP20
Weight	58g
Operating temperature	-5°C ... +45°C
Terminals relay outputs	Screw terminals, 17.5A 250V
Wire section	1.5mm ² (16AWG)
Screw	M3
Maximum torque	0.5Nm (4.5in.lbs)
Clamp opening size	2.5 x 2.1mm
Terminals KNX bus	
KNX	Pluggable micro terminal, Red/Black, 4 pole PUSH WIRE For conductor solid wire 0.6-0.8 mm ²
KNX	Max. 30mA current consumption from bus (all outputs active)
Local binary input / Status LED's output	
Voltage supplied from device to binary inputs	3.3VDC, max. 0.33mA (10kOhm internal)
Voltage supplied from device to LED outputs	3.3VDC, 2.1kOhm internal
Cabling	Pluggable 20 wire cable, 100mm length, AWG28 Signals can be extended up to 30m using twisted pair
Relay outputs	NO dry contacts
Contact rating (resistive load)	10A, 250VAC (2500W), 30.000 – 50.000 ops.
Incandescent lamps (incl. halogen lamps)	1000W @ 277VAC, ~30.000 ops.
Standard Ballast (including Fluorescent Lamp (uncorrected), Dulux Lamps (uncorrected), Mercury-vapor lamps (uncorrected), Sodium vapour lamps (uncorrected) and so on)	5A (1385W) @ 277VAC, >20.000 ops.
Shutter / Blinds	I= 1.15A // C=0,68uF, > 40.000 ops.
Special loads with inrush current, IEC 61810-1	Part C.5, 166uF, > 15.000 ops.
Contact material	AgSnO ₂
Dielectric strength	1000VAC 1minute between open contacts
UL Ratings	10A 250VAC / 125VAC 85°C 15A 125VAC 70°C B300 (3A 120VAC / 1,5A 240VAC), 1000W lampload,
EMC	EN 61000-4-2 EN 61000-4-3 EN 61000-4-4 EN 61000-4-5 EN 61000-4-6 EN 61000-4-11